



Model 405 Weighing Scale

User Manual

©Avery Berkel Limited 2006. All rights reserved.

The information contained herein is the property of Avery Berkel Limited and is supplied without liability for errors or omissions. No part may be reproduced or used except as authorised by contract or other written permission. The copyright and the foregoing restriction on reproduction and use extend to all media in which the information may be embodied.

Salter Brecknell is a trading name of Avery Berkel Limited

Contents

WARNINGS	6
Setting Up the Scale	7
<i>Display and Keypad</i>	7
<i>Manual Symbols</i>	8
Scale Operation	8
<i>Turning On and Zeroing the Scale</i>	8
<i>Turning Off the Scale</i>	8
<i>Selecting Unit of Measure</i>	8
<i>Using the Tare</i>	9
<i>Removing the Tare</i>	9
<i>Setting up the Auto-Off Function</i>	10
<i>Calibration</i>	10
<i>Error Messages</i>	11
Declarations of Compliance	13
<i>United States</i>	13
<i>Canada</i>	13

WARNINGS

Safe installation Safety



THE EQUIPMENT CONTAINS NO USER SERVICEABLE COMPONENTS.

Installation and maintenance of the equipment must only be carried out by trained and authorised personnel.

Electrical installation

The mains lead must be connected to a supply outlet with a protective earth contact. The electrical supply at the socket outlet must provide over current protection of an appropriate rating.

For your protection all mains (110V or 230V) equipment used out of doors or in wet or damp conditions should be supplied from a correctly fused source and protected by an approved ground fault protection device (RCD, GFCI etc.)

IF IN DOUBT SEEK ADVICE FROM A QUALIFIED ELECTRICIAN.



Routine maintenance

To avoid the possibility of electric shock or damage to the machine, always switch off the machine and isolate from the power supply before carrying out any routine maintenance.

To avoid the risk of the machine falling, where applicable, ensure that it is placed securely on a flat and level surface.

Safe use

Caution – Cleaning the indicator/weigh head

Harsh abrasives, solvents, scouring cleaners and alkaline cleaning solutions, such as washing soda, should not be used especially on the display windows. Under no circumstances should you attempt to wipe the inside of the machine.

The outside of standard products may be wiped down with a clean cloth, moistened with water containing a small amount of washing up liquid.

The outside of products waterproofed to IP65, IP66 and IP67 may be washed down with water containing a small amount of proprietary detergent.

Training

Do not attempt to carry out any procedure on a machine unless you have received the appropriate training or read the Instruction Manual.

EMC compliance

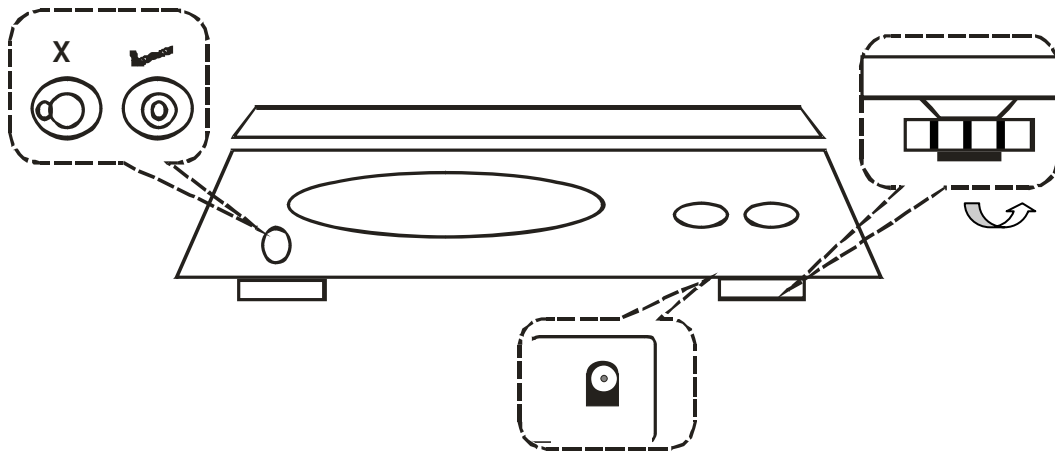
The following may be applicable to your machine.

WARNING:

This is a class A product. In a domestic environment this product may cause radio interference in which case the user may be required to take adequate measures.

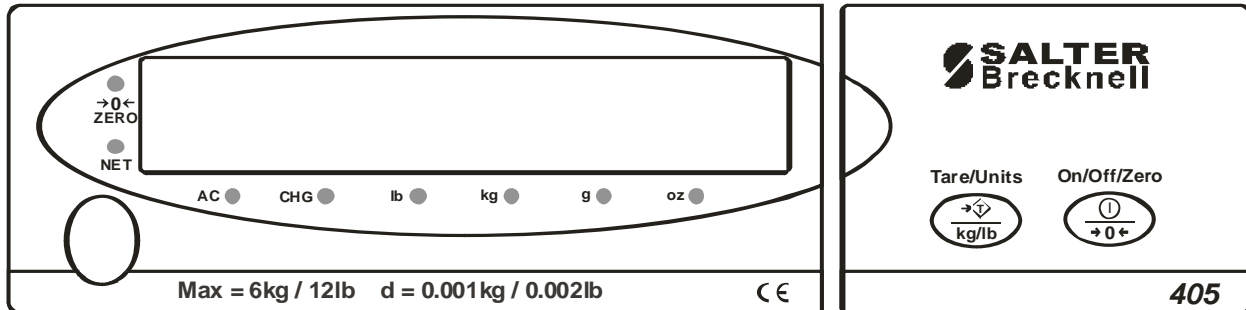
Setting Up the Scale

To set the scale up for operation, please refer to the following illustration while performing the steps below.



1. To level the scale, adjust the feet on the underside of the scale.
2. The Salter 405 is powered by a rechargeable battery or 12V power adapter supplied with the scale. To charge the battery or operate the scale from the adapter, insert the adapter into the socket on the underside of the scale.

Display and Keypad



Function Keys

Tare/Units



Tare/Units of measurement

On/Off/Zero



On/Off/Zero

Annunciators

→0←
ZERO

Illuminated when weight is zero

NET

Illuminated when tare has been activated

lb kg

Depends on active unit of measure (Flashing LED means that the weight reading is not stable.)

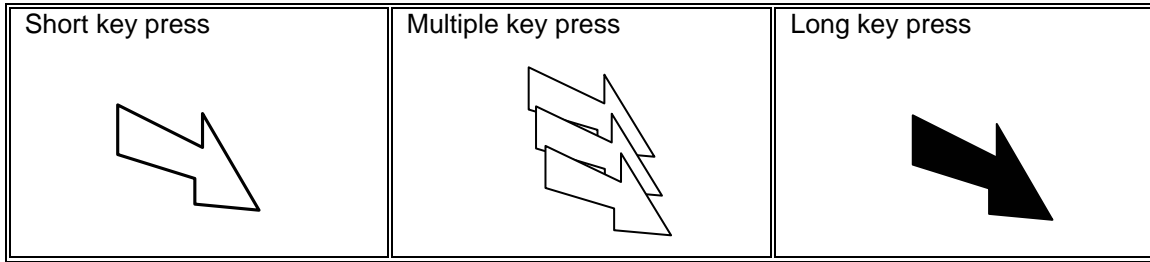
AC

Illuminated when adaptor is plugged in

CHG

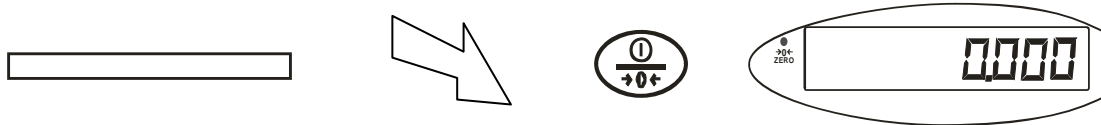
Illuminated when battery is charging

Manual Symbols



Scale Operation

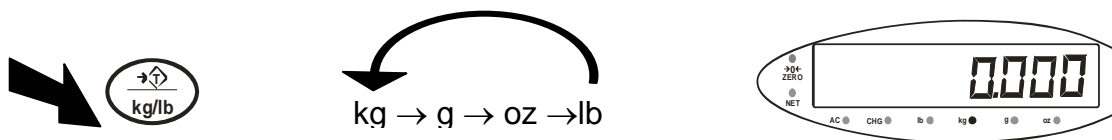
Turning On and Zeroing the Scale



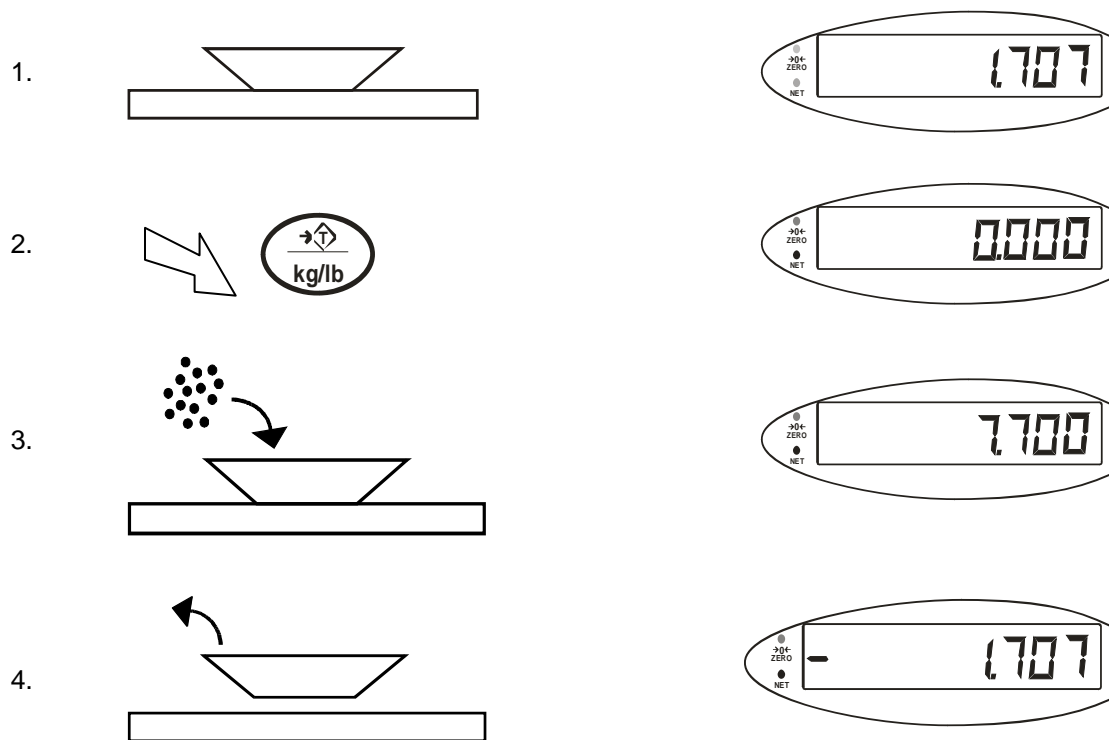
Turning Off the Scale



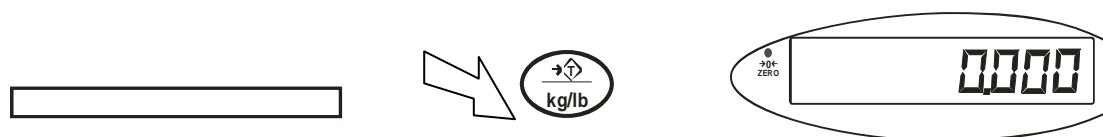
Selecting Unit of Measure



Using the Tare





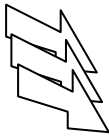



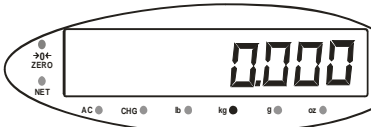


Removing the Tare






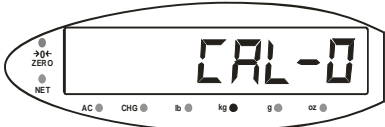


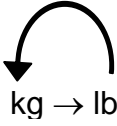





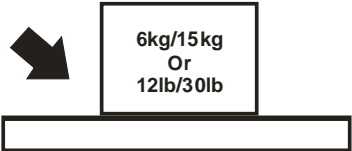


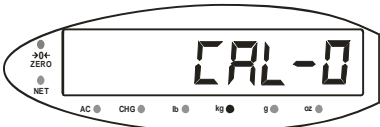
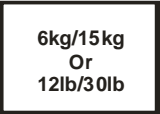


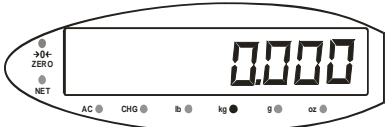
Setting up the Auto-Off Function

Before beginning, the scale must be switched on.

1.   +  → 
2.   0-9 minutes (0 switches function off)
3.   → 

Calibration

To calibrate, switch off the scale.

1.   +  → 
2.   → 
3.    → 
4.     → 
5.    → 

Error Messages

Error Message	Definition	Required Solution
0 ⁻ - - - :	Weight above range for calibrated zero point	Remove load before zeroing, -or- Recalibrate the scale.
0 ____:	Weight below range for calibrated zero point	Remove load before zeroing, -or- Recalibrate the scale.
____:	Indicates an under range condition	Remove all loads, and zero the scale.
- - - - :	Capacity exceeded	Remove the load, and try again. If the load is greater than 6 kg, a scale with a larger capacity is required.
CAL-Er:	Calibration error	Restart calibration.
Lo.bAt:	Low Battery	Recharge the battery.

Declarations of Compliance


United States

This equipment has been tested and found to comply with the limits for a class A digital device, pursuant to Part 15 of the FCC Rules. These limits are designed to provide reasonable protection against harmful interference when the equipment is operated in a commercial environment. This equipment generates, uses, and can radiate radio frequency energy and, if not installed and used in accordance with the instruction manual, may cause harmful interference to radio communications. Operation of this equipment in a residential area is likely to cause harmful interference in which case the user will be required to correct the interference at his own expense.

Canada

This digital apparatus does not exceed the Class A limits for the radio noise emissions from digital apparatus set out in the Radio Interference Regulations of the Canadian Department of Communications.

Le présent appareil numérique n'émet pas de bruits radioélectriques dépassant les limites applicables aux appareils numériques de la Classe A prescrites dans le Règlement sur le brouillage radioélectrique édicté par le ministère des Communications du Canada.

	Declaration of Conformity
Manufacturer	Salter Brecknell
Type	405
Corresponds to the requirements of the following EC directives:-	
Electro Magnetic Compatibility Directive: Low Voltage Directive:	EMC 89/336/EEC LVD 73/23/EEC
The application harmonised standards are:	EN60950 EN50081-1 EN50082-1

A copy of the original signed declaration for this instrument is available from the UK address below.

UK and Europe

Salter Brecknell Weighing
P.O. Box 9533, Smethwick,
West Midlands, B66 2TE.
United Kingdom.
Tel: +44 (0) 870 444 6132
Fax: +44 (0) 870 010 2241
email:sales@salterbrecknell.co.uk
www.salterbrecknell.co.uk



USA

Salter Brecknell Weighing Products USA
1000 Armstrong Drive
Fairmont
MN 56031
Toll Free: 800-637-0529
Phone: 507-238-8702
Fax: 507-238-8271
email:sales@salterbrecknell.com
www.salterbrecknell.com