



Model 6880 ROLLING CHAIR SCALE

Zero turning radius ability is the hallmark of this lightweight rolling chair scale. Ergonomics dictated this stylish, battery-powered chair scale's contemporary design. This system comes complete with a large LCD display. It has a 440 lb/200 kg capacity that is sensitive to 0.2 lb/0.1 kg. Oversized 3 inch/8 cm diameter wheels and sleek styling allow this scale to be extremely portable.



Model
6880

The 6880's footrests fold away to promote patient security when getting into or out of the scale.

ROLLING CHAIR SCALE

**Model
6880**



**Zero Turning
Radius Wheels**



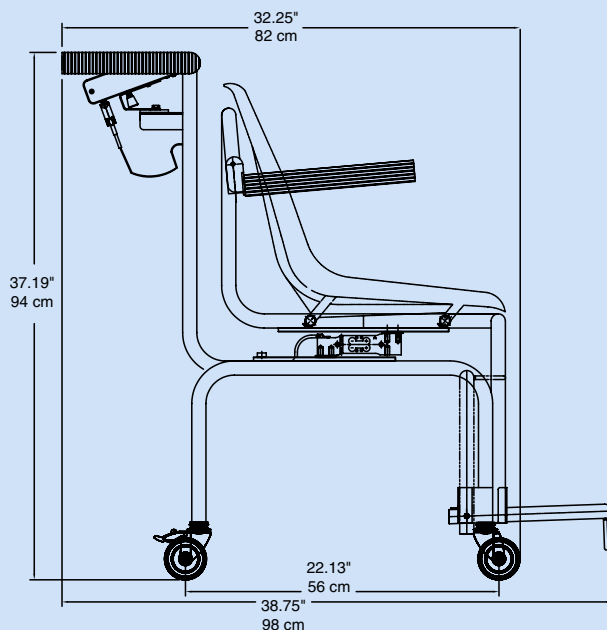
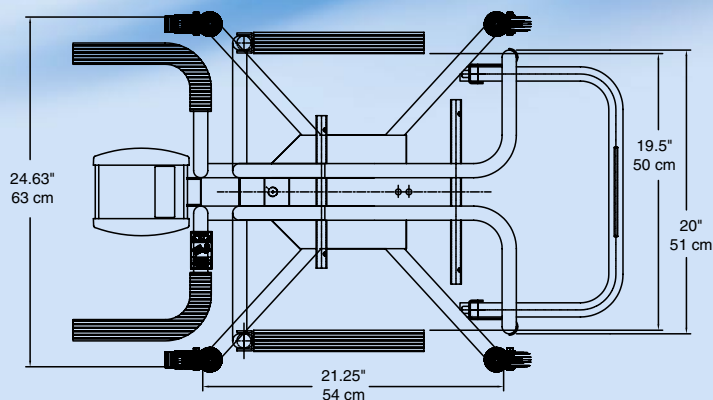
**Extra-large, 0.75
inch / 19 mm high
digits on an easy-to-
read LCD display.**

*Simply touch the BMI
key and utilize the
toggle arrows to
adjust the patient
height for BMI
calculation.*

- Lift-a-way arms and footrest.
- Fully electronic - single load cell.
- Oversized 3 inch/8 cm diameter wheels.
- Safety stops on rear wheels for parking in one place without rolling.
- Contoured, sloping backrest allows the patient to assume a relaxed position.
- Equipped with retractable armrests for ease in transferring patients to the chair scale and to accommodate patients with casts.

The large 0.75"/19 mm LCD display is battery powered and is easily readable in the brightest lighting conditions. The soft, padded armrests fold out of the way to allow patients easy accessibility.

- Capacity:** 440 lb x .2 lb / 200 kg x .1 kg
Display: Six-digit, seven-segment, 0.75" / 19 mm high LCD
Power: 6 "AA" size Alkaline, Ni-Cad or NiMH batteries (not included) OR an optional 100 to 240 VAC 50/60Hz 12 VDC 1A wall plug-in UL/CSA listed AC power supply (not included)
Keyboard: Membrane type with 5 keys and 4 directional arrows
Construction: Painted steel



Detecto Scale reserves the right to improve, enhance, or modify features and specifications without prior notice.



DETECTO
A Division of Cardinal Scale Manufacturing Co.

203 E. Daugherty, Webb City, MO 64870 USA
 Ph: 417-673-4631 or 1-800-641-2008 Fax: 417-673-5001
 www.Detecto.com

Sold By: